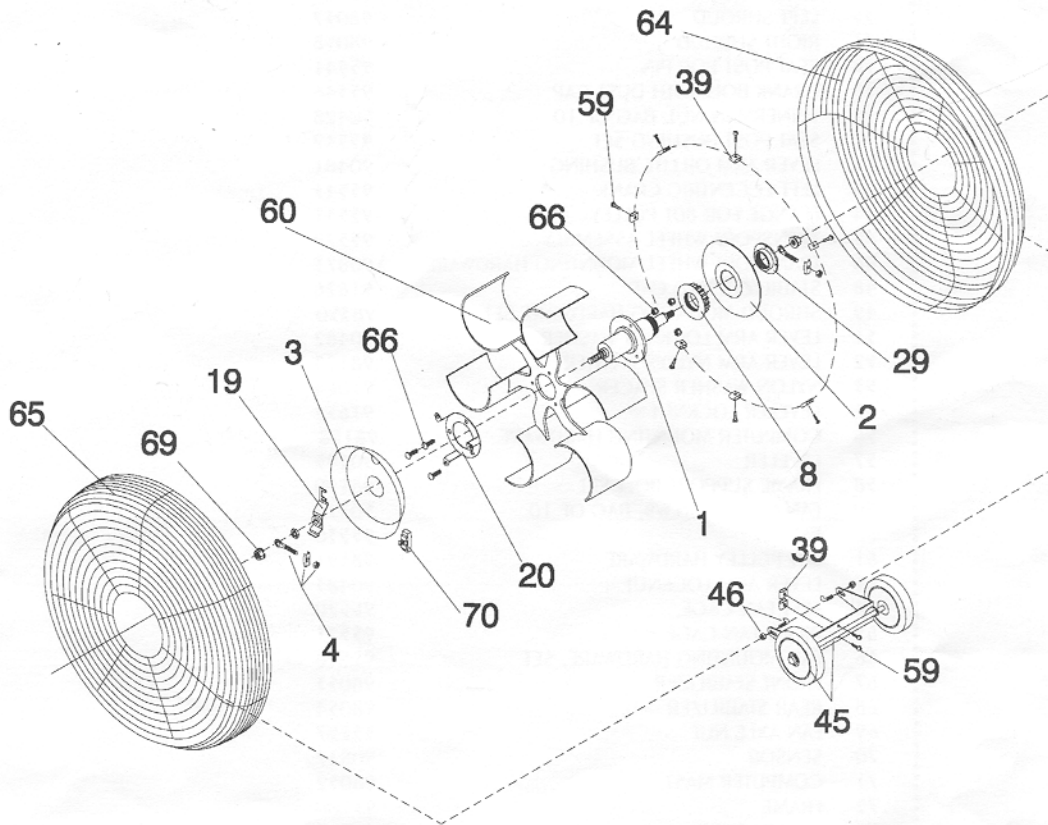
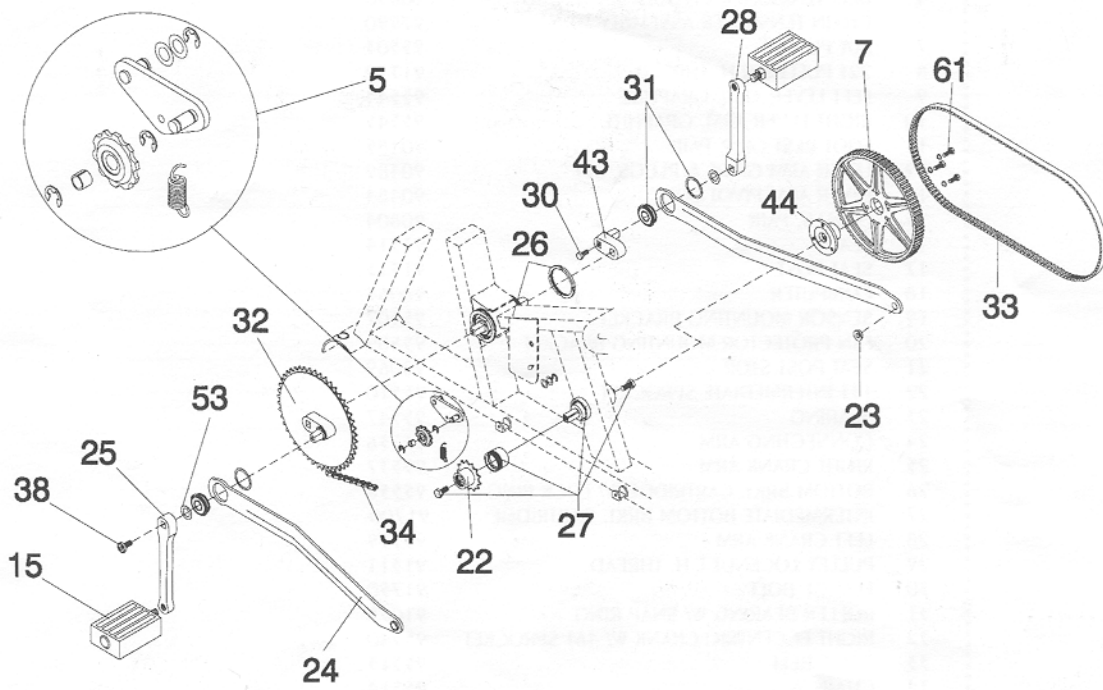


# AIRDYNE EVOLUTION PRO/COMP

Schwinn Air Systems

REPAIR PARTS  
17

AIRDYNE Evolution Pro/Comp



## Schwinn Air Systems

## REPAIR PARTS

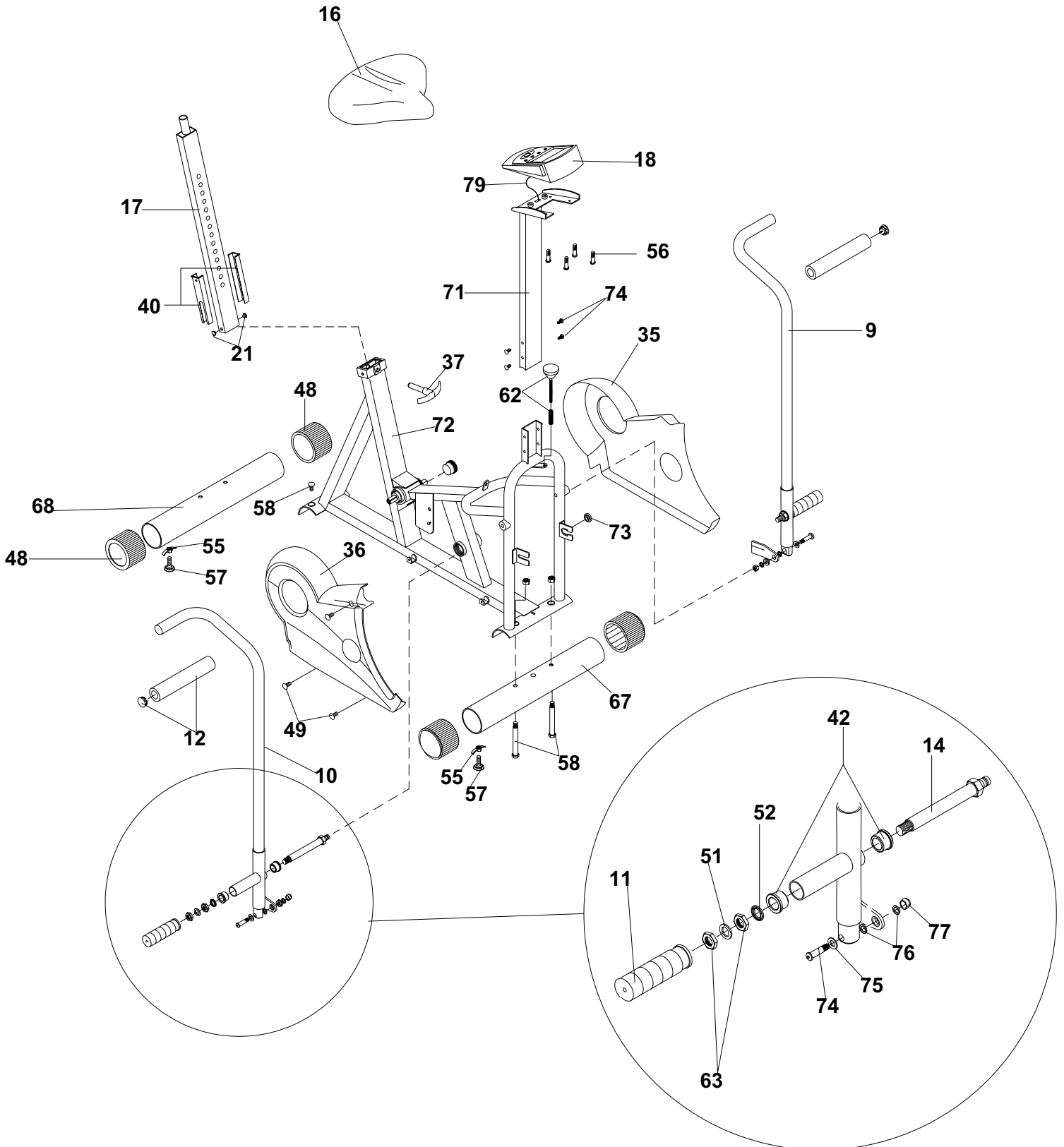
## AIRDYNE EVOLUTION PRO/COMP

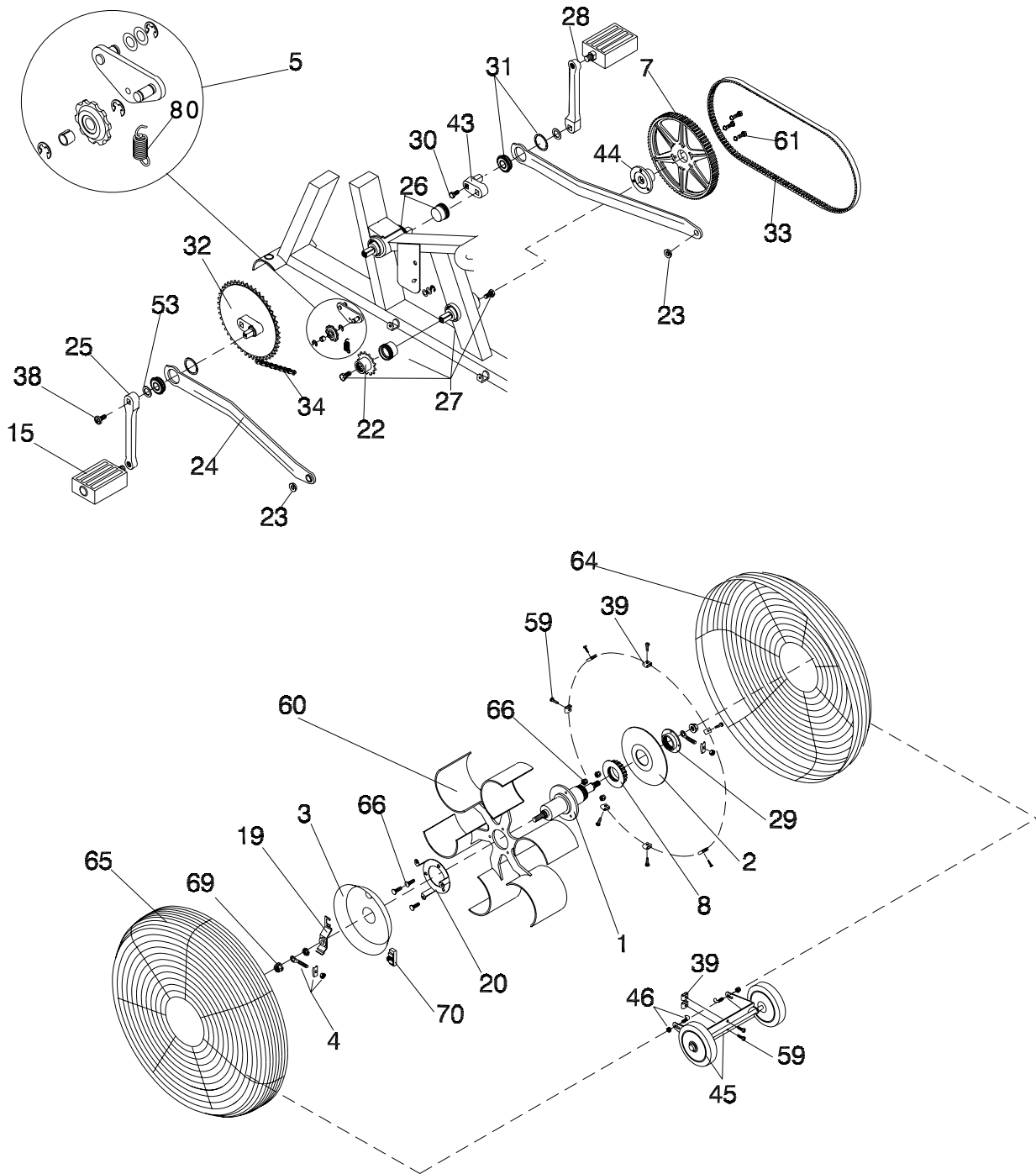
	DESCRIPTION	PART #
1	FAN HUB ASSEMBLY	95501
2	BELT PROTECTOR	91322
3	FAN PROTECTOR W/ MAGNET	95502
4	BELT TENSIONER EYEBOLT SET	90830
5	CHAIN TENSIONER ASSEMBLY	97990
7	80T PULLEY	95503
8	22T PULLEY, R.H. THREAD	91312
9	LEFT LEVER ARM, GRAPHITE	95544
10	RIGHT LEVER ARM, GRAPHITE	95545
11	FOOT REST GRIP, PAIR	90485
12	LEVER ARM GRIPS & PLUGS, SET	90489
14	LEVER ARM PIVOT BOLT	90484
15	PEDALS, PAIR	90804
16	SEAT	91314
17	SEAT POST	91313
18	COMPUTER	98063
19	SENSOR MOUNTING BRACKET	95507
20	FAN PROTECTOR MOUNTING BRACKET	95509
21	SEAT POST STOP	98069
22	13T INTERMEDIATE SPROCKET	95510
23	BEARING	95547
24	CONNECTING ARM	95536
25	RIGHT CRANK ARM	95537
26	BOTTOM BRKT. CARTRIDGE W/ LOCK RING	95538
27	INTERMEDIATE BOTTOM BRKT. CARTRIDGE	91700
28	LEFT CRANK ARM	95539
29	PULLEY LOCKNUT L.H. THREAD	91311
30	FLANGE BOLT	91750
31	ROLLER BEARING W/ SNAP RING	91055
32	RIGHT ECCENTRIC CRANK W/ 46T SPROCKET	95540
33	DRIVE BELT	95513
34	CHAIN	95514
35	LEFT SHROUD	98057
36	RIGHT SHROUD	98058
37	SEAT POST POP PIN	95541
38	CRANK BOLT WITH DUST CAP	95546
39	TINNERMAN NUT, BAG OF 10	50428
40	SEAT POST BUSHING SET	95542
42	LEVER ARM OILLITE BUSHING	90481
43	LEFT ECCENTRIC CRANK	95543
44	FLANGE FOR 80T PULLEY	95531
45	TRANSPORT WHEEL ASSEMBLY	95529
46	TRANSPORT WHEEL MOUNTING HARDWARE	90873
48	STABILIZER END CAP	91626
49	SHROUD MOUNTING HARDWARE SET	98350
51	LEVER ARM LOCKNUT WASHER	90482
52	LEVER ARM NYLON WASHER	98198
53	NYLON WASHER SPACER	91064
55	LEVELER LOCKNUT	91652
56	COMPUTER MOUNTING HARDWARE	98158
57	LEVELER	90595
58	FRAME SUPPORT BOLT SET	98190
59	FAN CAGE SCREWS, BAG OF 10	50372
60	FAN	95530
61	80T PULLEY HARDWARE	98191
63	LEVER ARM LOCKNUT	90483
64	LEFT FAN CAGE	95520
65	RIGHT FAN CAGE	95521
66	FAN MOUNTING HARDWARE, SET	95518
67	FRONT STABILIZER	98053
68	REAR STABILIZER	98054
69	FAN AXLE NUT	33157
70	SENSOR	90837
71	COMPUTER MAST	98052
72	FRAME	95500
73	CAM WASHER	98067
74	ALLEN BOLT	95496
75	WASHER	95497
76	SPACER	95498
77	LOCK NUT	95499
78	CONSOLE MAST HARDWARE HARDWARE PACK DECAL SET OWNER'S MANUAL SELL SHEETS (25 PER PACK)	98078 97997 98077 92707 92750

FITNESS TECHNICAL SERVICE

(800) 864-1270

fax (800) 898-9410





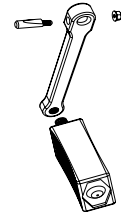


REF#	PART# GRAPHITE	2002 DARK GRAY (CHARCOAL)	DESCRIPTION
1	95501		FAN HUB ASSEMBLY
2	91322		BELT PROTECTOR
3	95502		FAN PROTECTOR W/ MAGNET
4	90830		BELT TENSIONER EYEBOLT SET
5	97990		CHAIN TENSIONER ASSEMBLY
7	95503		80T PULLEY
8	91312		22T PULLEY
9	95544	98715	LEFT LEVER ARM, GRAPHITE
10	95545	98711	RIGHT LEVER ARM, GRAPHITE
11	90485		FOOT REST GRIP PAIR
12	90489		LEVER ARM GRIPS & PLUGS SET
14	90484		LEVER ARM PIVOT BOLT
15	90804		PEDALS, PAIR
16	93079		SEAT
17	91313		SEAT POST
18	98063		COMPUTER
19	95507		SENSOR MOUNTING BRACKET
20	95509		FAN PROTECTOR MOUNTING BRACKET
21	98069		SEAT POST STOP
22	95510		13T INTERMEDIATE SPROCKET
23	95547		BEARING, 10/19 X 5.5/7T
24	95536		CONNECTING ARM
25	95537		RIGHT CRANK ARM
26	95538		BOTTOM BRACKET, UN52 68 X 122.5
27	91700		INTERMEDIATE BOTTOM BRACKET 68 X 113
28	95539		LEFT CRANK ARM
29	91311		PULLEY LOCKNUT LEFT HAND THREAD
30	91750		FLANGE BOLT
31	91055		ROLLER BEARING W/ SNAP RING
32	95540		RIGHT ECCENTRIC CRANK W/ 46 TOOTH SPROCKET
33	95513		DRIVE BELT
34	95514		CHAIN
35	98057		LEFT SHROUD
36	98058		RIGHT SHROUD
37	92872		T-HANDLE POP PIN
38	95546		CRANK BOLT WITH DUST CAP
39	50428		TINNERMAN NUT, BAG OF 10
40	95542		SEAT POST BUSHING SET
42	90481		LEVER ARM OILITE BUSHING
43	95543		LEFT ECCENTRIC CRANK
44	95531		FLANGE FOR 80 TOOTH PULLEY
45	95529		TRANSPORT WHEEL ASSEMBLY
46	90873		AIRDYNE TRANSPORT BRACKET HOOK BOLT
48	91626		STABILIZER END CAP
49	98350		SHROUD MOUNTING HARDWARE SET
51	90482		LEVER ARM LOCKNUT WASHER
52	98198		LEVER ARM NYLON WASHER
53	98100		NYLON WASHER SPACER BLACK
55	91652		LEVELER LOCKNUT
56	98158		COMPUTER MOUNTING HARDWARE
57	90595		LEVELER
58	98190		FRAME SUPPORT BOLT SET
59	50372		FAN CAGE SCREWS, BAG OF TEN
60	95530		FAN
61	98191		80 TOOTH PULLEY HARDWARE
62	95517		LOCK KNOB W/ SPRING
63	90483		LEVER ARM LOCKNUT
64	95520		LEFT FAN CAGE
65	95521		RIGHT FAN CAGE
66	95518		FAN MOUNTING HARDWARE SET
67	98053	98712	FRONT STABILIZER
68	98054	98714	REAR STABILIZER
69	33157		FAN AXLE NUT SET
70	90837		SENSOR
71	98052	98713	COMPUTER MAST
72	95500	98710	FRAME
73	98067		CAM WASHER
74	95496		ALLEN BOLT
75	95497		WASHER
76	95498		SPACER
77	95499		LOCK NUT
78	98078		CONSOLE MAST HARDWARE
79	95535		COMPUTER WIRE
80	91347		TENSIONER SPRING
	97997		HARDWARE PACK
	98077		DECAL SET
	92707		OWNERS MANUAL
	71699		CRANK REMOVAL TOOL



**TECH TIP**  
EARLIER MODELS OF THE EVOLUTION USED THE SAME BOTTOM BRACKET AND CRANK ARMS AS THE AIRDYNE 4. THIS MODEL USES A SQUARE BOTTOM BRACKET AXLE INSTEAD OF A WEDGE PIN. BE SURE TO CHECK WHICH MODEL YOU HAVE BEFORE ORDERING.

OLD



NEW

